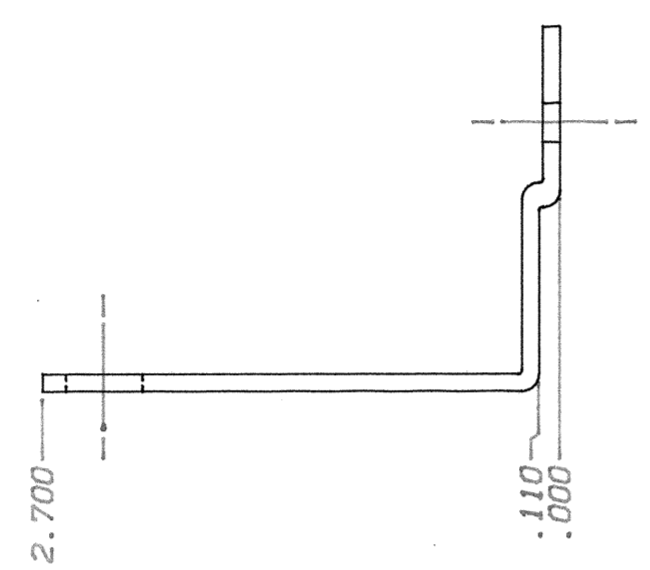
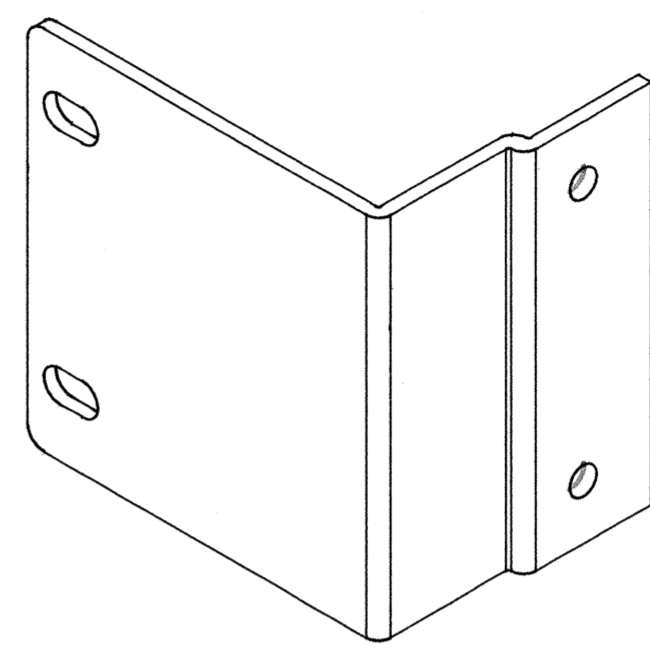
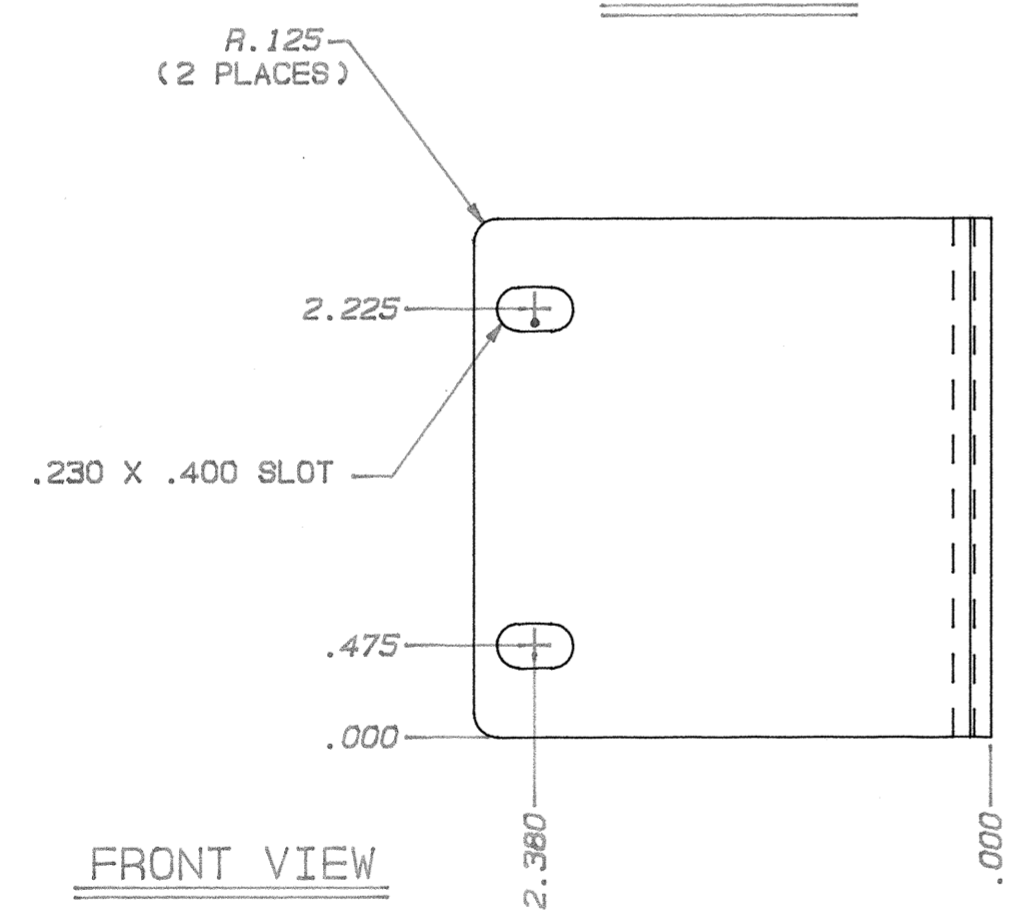


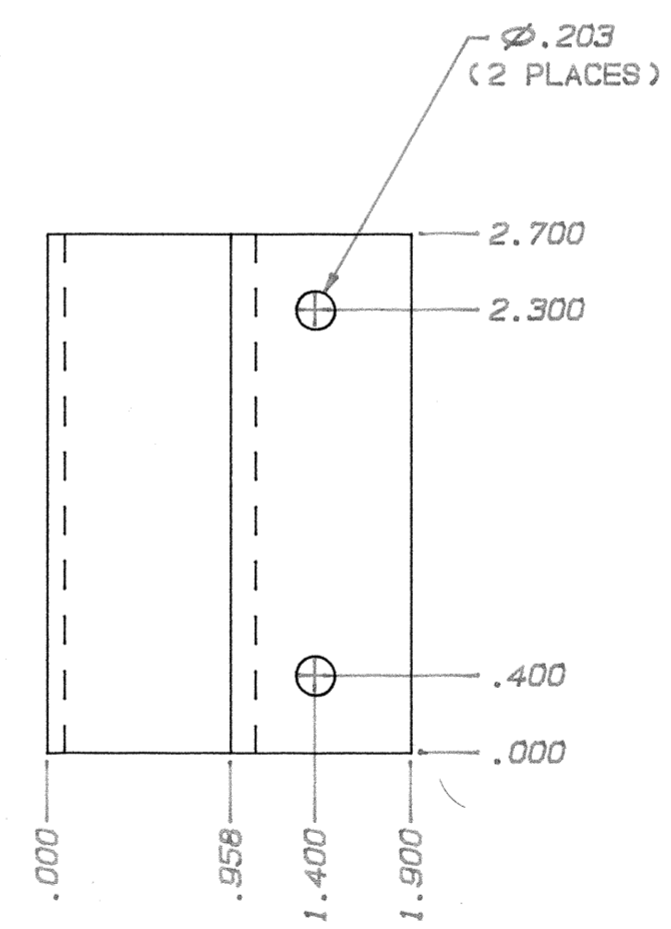
REVISIONS			
REV	DESCRIPTION	DATE	APPROVED
B	DELETED CNSK HOLES FOR HANDLES	06/20/88	AWR
B	CHANGED TWO CNSK HOLES TO .203 DIA	06/20/88	AWR
B	CHANGED MATERIAL FROM .090 ALUM TO .105 CRS	06/20/88	AWR
B	CHANGED FINISH FROM ANODIZE TO PAINT	06/20/88	AWR



TOP VIEW



FRONT VIEW



RIGHT SIDE VIEW

- NOTES: 1) ALL DIMENSIONS ARE IN INCHES
 2) TOL +/- .010
 3) USE MINIMUM RADII ON ALL BENDS
 4) MATERIAL: .105 CRS
 5) FINISH: PAINT CARDINAL #8102-~~5554~~ ^{BLACK} 05 Semi Gloss ~~MEDIUM TEXTURE~~ Class B Smooth
 6) DO NOT GRAIN, TUMBLE O.K.

STANFORD RESEARCH SYSTEMS, Inc.

1290-D REAMWOOD AVENUE
 SUNNYVALE, CA 94089
 PHONE: (408) 744-9040
 FAX: 4087449049
 TELEX: 706891 SRS UD

ASSEMBLY:
 SR620 TIME INTERVAL COUNTER
 TITLE:
 RACK MOUNT (TWO PER ASSEMBLY)

SIZE	SRS REF#	SRS PART#	REV
C	SR620-40	7-00170-720	B

DRAWN BY: AWR SCALE: 1:1 DATE: 09/27/87 SHEET 1 OF 1